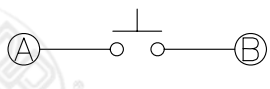
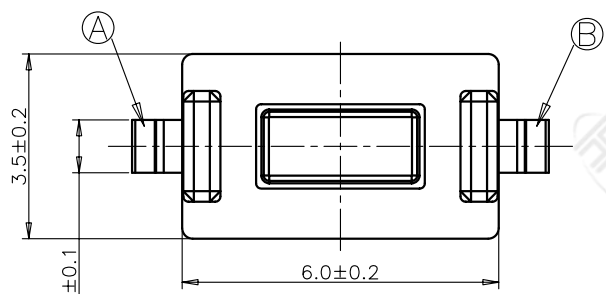
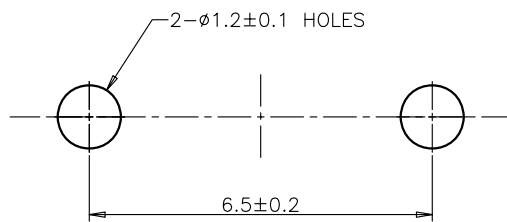


ACAD GENERATED DRAWING. DON'T CHANGE BY HAND.

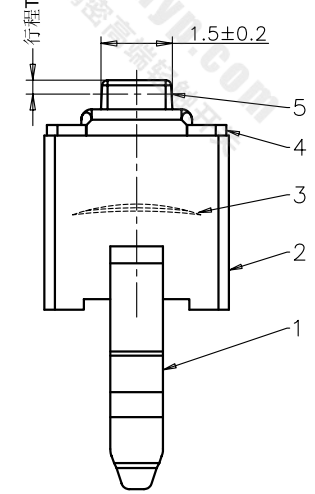
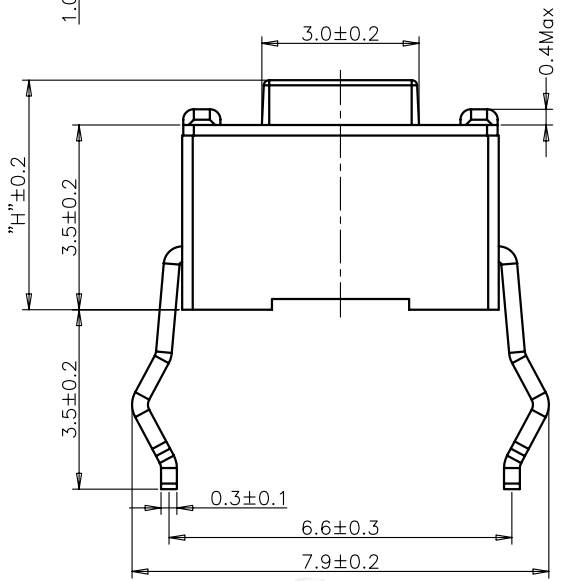
| REV | ECN NO.    | APPD   |
|-----|------------|--------|
| A   | HC-11-0023 | PRIJOM |
| B   | HC-11-0060 | PRIJOM |
| C   | HC-12-0059 | PRIJOM |
| D   | HC-15-0060 | PRIJOM |



CIRCUIT DIAGRAM  
回路图



RECOMMENDED P.C.B. LAYOUT  
安装尺寸图



规格 Specifications

|                            |                                |
|----------------------------|--------------------------------|
| 额定负荷 Rating                | DC 12V/50mA                    |
| 接触电阻 Contact Resistance    | 100mΩ max.                     |
| 绝缘电阻 Insulation resistance | DC100V 60S 100MΩ min.          |
| 抗电强度 Dielectric strength   | AC250V(50~60HZ) 60S min.       |
| 操作力 Operation force        | ≤180±30gf    ≤300±50gf         |
| 寿命试验 Operating Life        | 50,000 cycles    30,000 cycles |
| 行程 Travels                 | 0.25±0.1mm                     |

PRODUCT NO.: 1TS002\*\*\*\*-\*\*\*\*-\*\*\*\* - CT

- 轻触开关
- 3X6系列
- 外形:
- A=插脚
- B=贴片
- C=贴片带柱
- E=贴片2.5高
- K=贴片带柱8.8
- L=贴片10.2
- 按钮颜色:
- 底座颜色:
- 盖板颜色:
- 初始颜色 则不启用
- 操作力度:
- 130=130±20gf
- 160=160±30gf
- 180=180±30gf
- 220=220±40gf
- 250=250±50gf
- 300=300±50gf
- 材质:
- 0=PA66
- 1=LCP+PPA
- 2=LCP
- 3=PA66+PPA
- 4=新增材质 依次增加
- 产品高度(H):
- 430=4.3mm
- 500=5.0mm
- 手感:
- 0=常规
- 1=大手感
- 2=小手感
- 3=特殊手感
- 编带 非编带, 不启用

| ITEM | PART NAME | QUANTITY | MATERIAL        | FINISH          |
|------|-----------|----------|-----------------|-----------------|
| 5    | ACTUATOR  | 1        | PA66            | WHITE           |
| 4    | COVER     | 1        | STAINLESS STEEL | NATURAL         |
| 3    | DOME      | 1        | STAINLESS STEEL | Ag-PLATED       |
| 2    | HOUSING   | 1        | PA66            | WHITE           |
| 1    | TERMINAL  | 1        | BRASS           | Ag-PLATED/0.2μm |

|  |              |        |      |   |   |
|--|--------------|--------|------|---|---|
| X. ± 0.3   | X.* ± 3'     | UNITS  | MM   | NAME(INTENDED USE)<br>3X6 T/H SERIES<br>TACT SWITCH | <b>HON YUAN</b><br>HON YUAN PRECISION IND. CO.,LTD.<br>SHENZHEN, CHINA. |
| .X ± 0.2   | .X* ± 2'     | MAT'L  |      |   |   |
| .XX ± 0.1  | .XX* ± 1'    | FINISH |      | PART NO.(INTENDED USE)<br>ITS002A***-****-****0     | TITLE:<br>PRODUCT DRAWING   |
| .XXX ± 0.05  | .XXX* ± 0.5' |        | Q'TY |   | APPD:<br>ZO 2015/11/13  |
| THESE DRAWINGS AND SPECIFICATIONS ARE THE PROPERTY OF HON YUAN PRECISION IND. CO., LTD. AND SHALL NOT BE REPRODUCED, COPIED OR USED IN ANY MANNER WITHOUT THE PRIOR WRITTEN CONSENT OF HON YUAN PRECISION IND. CO., LTD. |              |        |      | CHKD:<br>M.H.Li 2015/11/13                          | SCALE SHEET REV.<br>10/1 1/4 D  |
|  |              |        |      | DR: WP.Lu 2015/11/12                                |   |